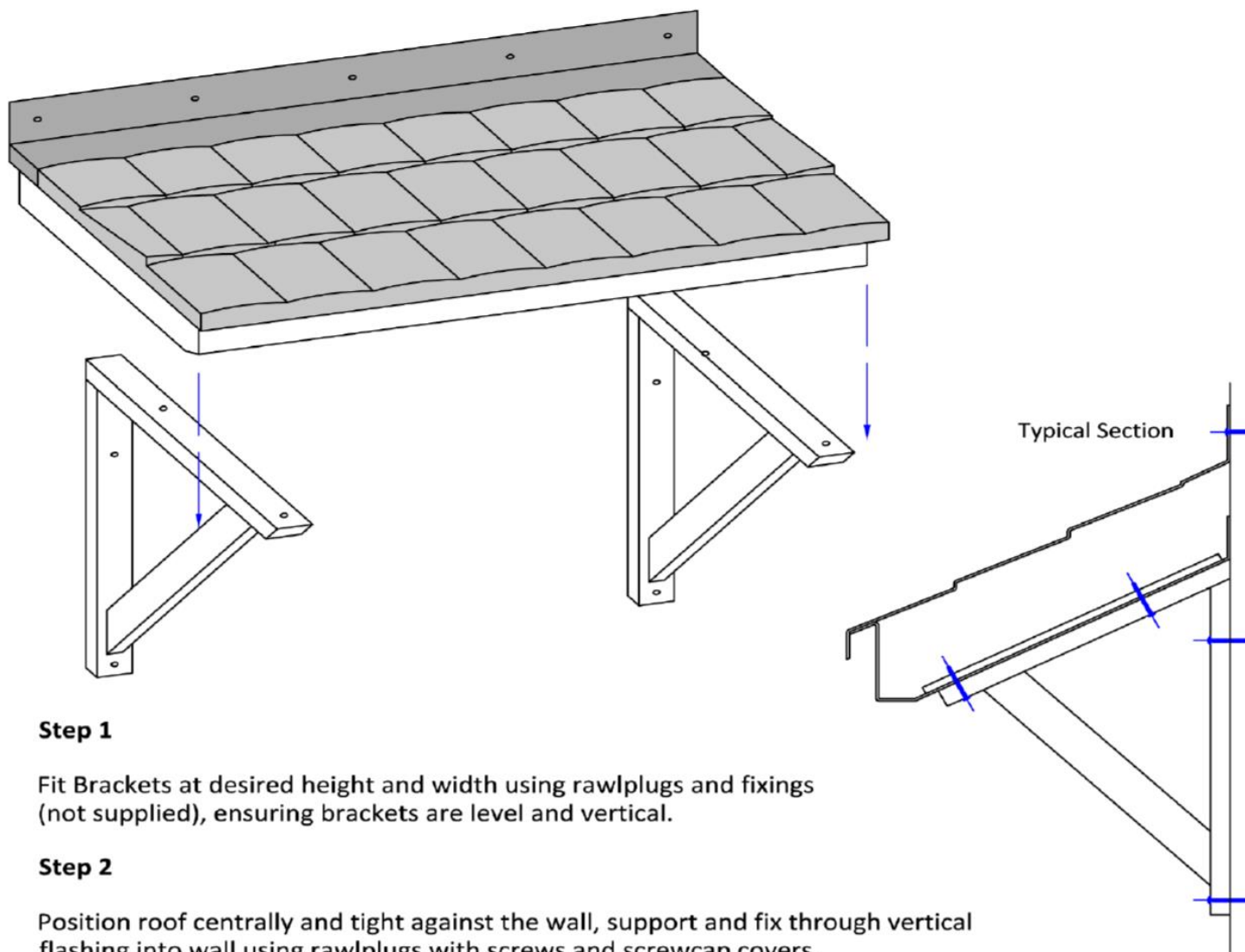


Canopy Fixing Instructions

Mono-Pitch Roof



Step 1

Fit Brackets at desired height and width using rawlplugs and fixings (not supplied), ensuring brackets are level and vertical.

Step 2

Position roof centrally and tight against the wall, support and fix through vertical flashing into wall using rawlplugs with screws and screwcap covers. From underside screwfix through top flange of brackets into plywood base of canopy making sure to use suitable sized screws.

Step 3

Finally seal canopy flashing to wall using suitable low modulus exterior mastic.

N.B. Whilst handling and fitting canopy use protective gloves, eye protection and dust mask to prevent injury.

Maintenance

Canopy can be cleaned using non abrasive detergent and rinsing with clean water.